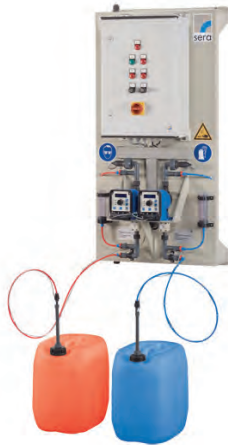


CHLORINE DIOXIDE PRODUCTION UNIT



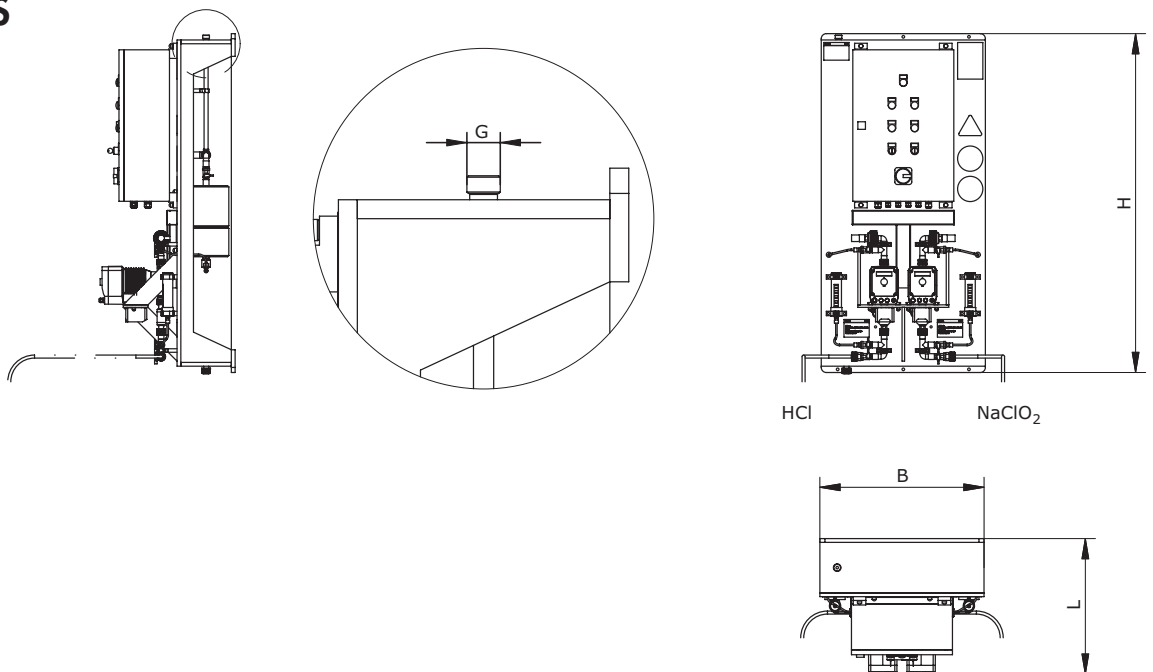
ÜBERBLICK

- Fully automatic production of 2-percent ClO_2 with help of modern control and pump technology
- Highest accuracy
- Excellent efficiency factor
- High reliability
- Easy to operate
- Space saving construction for wall fastening
- Qualified for industrial use
- Practice-oriented capacity grading
- Complete accessories program

TECHNICAL DATA

UNIT DATA		CDG-125.1	CDG-220.1	CDG-500.1	CDG-1000.1	
Performance (50/60Hz)	gram/hour	125	220	500	1.000	
Chemical consumption	l/h	HCl (9%)	3,2	5,5	12,6	26,2
		NaClO_2 (7,5%)	3,2	5,5	12,6	26,2
Power consumption	kW	~0,2	~0,2	~1,5	~1,5	
Weight (empty)	approx. kg	~64	~64	~70	~75	

DIMENSIONS



	G (Process connection)	L	B	H
CDG - 125.1	G3/4	530	650	1.350
CDG - 220.1	G3/4	530	650	1.350
CDG - 500.1	G3/4	590	650	1.350
CDG - 1000.1	G3/4	590	650	1.350

ELEKTRICAL DATA / CONTROL TECHNOLOGY

Input	3 digitale inputs 1 analogue input (adjustable)	Fault external controller, external ON, external stream bypass 4...20mA controller or water meter
Output	3 potential free outputs 1 output 230V	Pre-alarm tank, release controller, collective fault Voltage supply (e.g. for ClO ₂ -measuring)
Enclosure	control cabinet solenoid driven diaphragm pumps motor driven diaphragm pumps	IP65 IP65 IP55
Supply voltage	230V / N / PE, 50Hz	

BASIC DESIGNS**CDG**

2x controllable dosing pump **2x** flow meter
2x calibration pot **2x** pressure switch
2x suction lance (with pre-alarm + run dry protection)
2x adapter for suction lance for drum
Reactor
Control device (impulse/analog input)
Fittings, hoses, brackets and wall mounting frame (made of PP)

Type	Price (EUR)
CDG - 125.1	▲
CDG - 220.1	▲
CDG - 500.1	▲
CDG - 1000.1	▲

OPTIONS

	Price [EUR]	
Thinning water unit	▲	
Contact water meter (main line)	▲	
Chemical vapour lock	for HCl	▲
	for NaClO ₂	▲
BUS-Connection	Profibus DP / Slave	▲
	Industrial Ethernet	▲
ClO ₂ - measuring and control unit	▲	
ClO ₂ - photometer (for fast determination of ClO ₂ - concentration)	▲	

ACCESSORIES

Drum for HCl (without filling)	30 litres	▲
	60 litres	▲
Drum for HCl (incl. filling, 9% solution)	30 litres	▲
	60 litres	▲
Drum for NaClO ₂ (without filling)	30 litres	▲
	60 litres	▲
Drum for NaClO ₂ (incl. filling, 7,5% solution)	30 litres	▲
	60 litres	▲
Collecting basin (for drum)	content approx. 30 litres	▲
	content approx. 60 litres	▲

Further accessories on request