

DOSING TANK



OVERVIEW

- UV-stabilized polyethylene
- Food safe
- Seamless
- Assembly bridge, centred
- Embossed litre scale
- Connection for drain
- Safe fixing
- Lockable

TECHNICAL DATA

DOSING TANK		DTR-...						
		...40.2	...75.2	...100.2	...200.2	...300.2	...500.1	...1000.1
Content (volume)	Litres	40	75	100	200	300	500	1.000
Weight (empty)	kg	2,7	6,0	7,5	13,5	17,0	23,8	42,0

BASIC DESIGNS

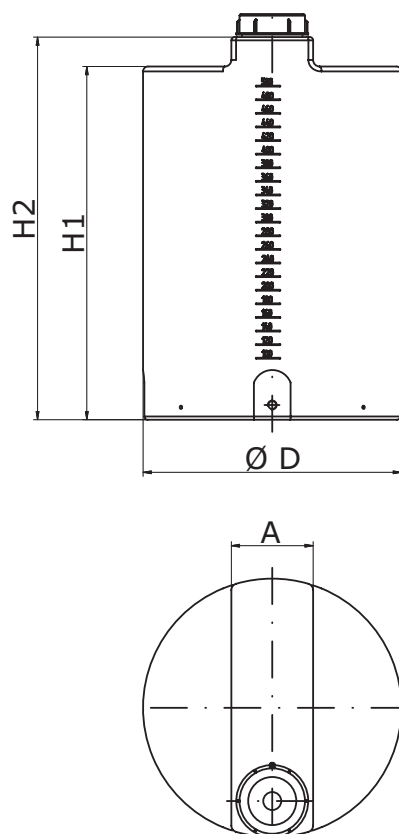
DTR

Dosing tank **PE-transparent**

Seal **EPDM**

Type	Article-No.	Price (EUR)
DTR - 40.2	90020788	☉
DTR - 75.2	90032463	☉
DTR - 100.2	90032464	☉
DTR - 200.2	90032213	☉
DTR - 300.2	90032216	☉
DTR - 500.1	90009622	☉
DTR - 1000.1	90009623	☉

DIMENSIONS



	D	H1	H2	A
DTR - 40.2	420	355	425	150
DTR - 75.2	460	530	600	130
DTR - 100.2	460	690	760	130
DTR - 200.2	670	670	750	200
DTR - 300.2	670	950	1.030	200
DTR - 500.1	790	1.090	1.180	250
DTR - 1000.1	1.080	1.260	1.330	370

ACCESSORIES

		Price [EUR]
Seals	EPDM	●
	FPM	▲
Level indicator	made of PVC-transparent	▲
Tank emptying	with shut-off valve DN15	⌚
	blind closed, DN15, G1	⌚
Tank screw connection	incl. connection seal	⌚
Colour	black (not transparent)	⌚
Reinforcing bridge	only with DTR-1000.1	⌚